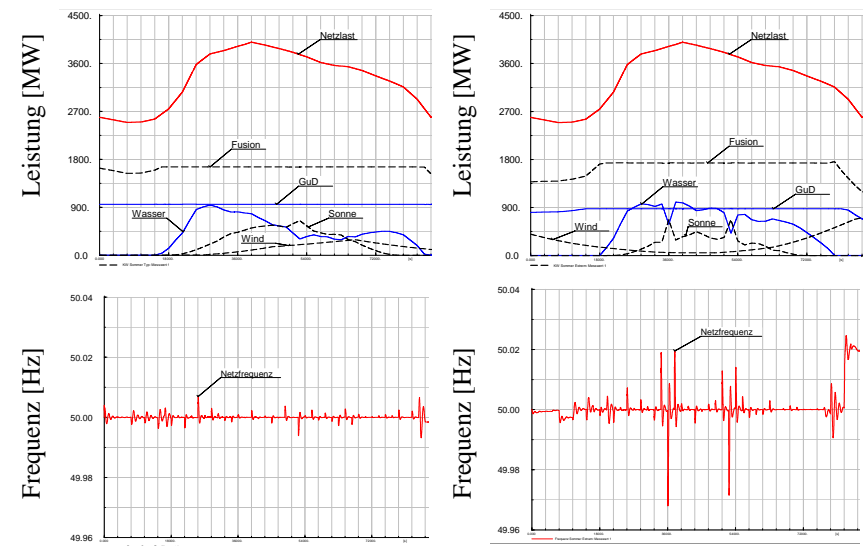
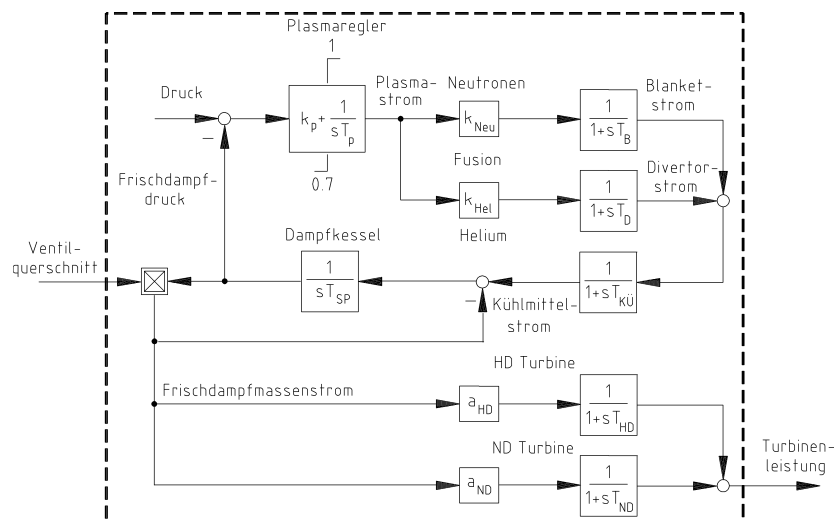
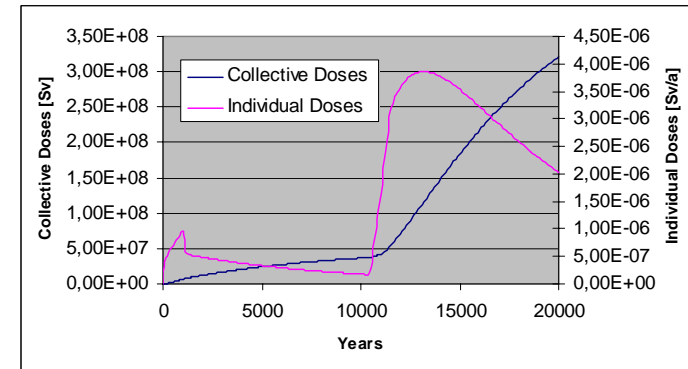


1. Environmental concern
2. Fusion in the electricity network
3. Fusion has hydrogen source

¹⁴C a special problem



This should become an one chapter:

major question: how could the temperature be used
efficient?